

Push-Quick Fitting Adapters

Clippard offers a variety of accessories that are designed for use with Push-Quick Fittings. These include special #10-32 threaded adapters in both male (p/n 11674) and female (p/n 11675) thread configurations and adapters that can be used to plug a Push-Quick fitting.

The threaded adapters insert into Push-Quick Fittings and provide either a male or female thread that can be used to mount any Clippard product with a #10-32 threaded inlet. This allows the direct attachment of the product to a Push-Quick Fitting without hoses or additional fittings.

Part Dash #	Tubing Size	"D"	"H"	"L"	"M"	"N"
- 05	5/32"	0.312"	1/4"	0.993"	0.962"	1.212"
- 08	1/4"	0.312"	1/4"	1.003"	0.972"	1.222"
- 12	3/8"	0.437"	3/8"	1.143"	1.112"	1.362"

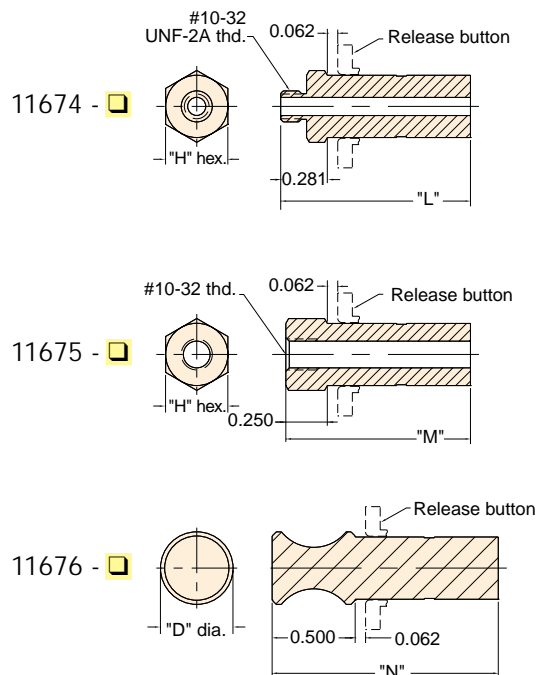


Figure 1 shows an MAV-3 3-Way Valve connected to a PQ-RT05P Run Tee using a 11674-05 Adapter. In this example, the Run Tee is connected to a 1/8" NPT supply pipe.

Figure 2 shows an IND-1M-WH Pressure Indicator connected to a PQ-TU08 Tee Union using a 11675-08 Adapter. If one of the branches of a Push-Quick Fitting is to be used as a temporary pressure gauge port, the 11676 series of Plugs can be used when the gauge is not in place. Plugs may also be used if Push-Quick Fitting branches are intended for future additions to the circuit, but have no current need.

Figure 3 shows a PQ-CU Cross Union with one branch plugged with a 11676-08 Plug.



NEW! Push-Quick Fittings with Quick-Connect Ports Available

New Quick-Connect fittings are available which combine the quick, easy functionality of the Push-Quick series with the flexibility and security of the Quick-Connect series.

See page 307 for complete details.